

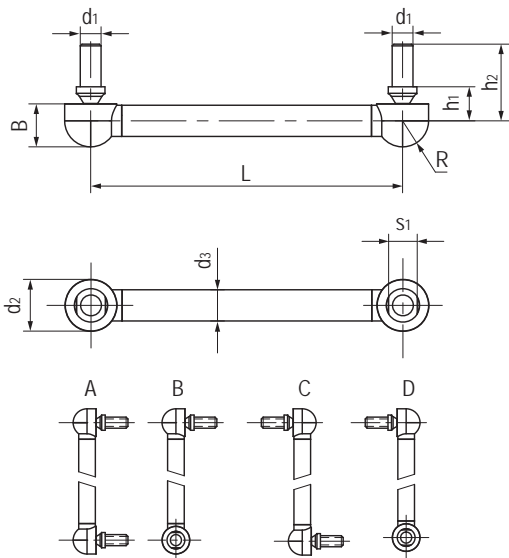
GVCJ可变联接关节球头销 Variable coupling joint with ball studs



产品特性 Product features

- 球头销保持器采用高强度材料CSB® M163制成
 - 球头销材料可选镀锌钢或不锈钢
 - 连接管材料可选镀锌钢或不锈钢
 - 轴承位置多种角度选择
 - 中心距可根据需求定制
 - 自润滑、免维护
 - 无噪音和轻量化
- Ball stud housings made of high strength material CSB® M163
 - Available materials of the ball stud: galvanised steel or stainless steel
 - Available materials of the tube: galvanised steel or stainless steel
 - Individual alignment of the bearing position
 - The centre dimensions upon request is available
 - Maintenance free and self-lubricated
 - No noise and lightweight design

标准规格 Standard specifications



产品编码 Part No.:

GVCJ-MR-06-A-GT-GS-000

- 中心距 Center dimensions
- GS: 镀锌钢球头销 Galvanised steel studs
- ES: 不锈钢球头销 Stainless steel studs
- GT: 镀锌钢管 Galvanised steel tubes
- ET: 不锈钢管 Stainless steel tubes
- 方向版本 Direction versions: A/B/C/D
- 螺纹尺寸 Thread dimensions
- MR: 右旋螺纹 Thread direction: right hand

| 产品编码 Part No. | d ₁ [mm] | d ₂ [mm] | d ₃ [mm] | L (Min) (最小值) | B [mm] | h ₁ [mm] | h ₂ [mm] | s ₁ [mm] | R [mm] | 球头销-最大静态 轴向拉负荷 Max. static tensile stress in pin axis | | 球头销-最大静态 径向压负荷 Max. static pressure load in pin radial | | 连接管-最大静态 抗拉应力 Max. static tensile stress of the tubes | | 最大调 节角度 Max. pivot angle |
|------------------|------------------------|------------------------|------------------------|------------------|-----------|------------------------|------------------------|------------------------|-----------|--|-----------------|---|-----------------|--|-----------------|-----------------------------------|
| | | | | | | | | | | 短期 Short-term | 长期 Long-term | 短期 Short-term | 长期 Long-term | 短期 Short-term | 长期 Long-term | |
| | | | | | | | | | | [N] | [N] | [N] | [N] | [N] | [N] | |
| GVCJ-MR-08 | M8 | 19.3 | 12 | 80 | 16.2 | 13.1 | 29.5 | SW11 | 9.7 | 750 | 375 | 1500 | 750 | 2000 | 1000 | 24° |